

This document courtesy of:



[Data Weighing Systems, Inc.](#)

---

[Contact Us](#)

For immediate assistance call  
1-800-750-6842



## The New Quintix®

Redefining Standard.



- Intuitive application guidance
- Maximum accuracy at all time
- Easy cleaning
- "Plug & Work" connectivity to printer or computer

### AC Adapter

Sartorius AC adaptor module	6971790 with interchangeable country-specific plug-in AC adaptors
Primary	100 – 240 V~, -10%   +10%, 50 – 60 Hz, 0.2 A
Secondary	15 V DC, ± 5%, 530 mA (max.)   8 Watt (max.): 0 to +40 °C and 15 V DC, ± 5%, 330 mA (max.)   5 Watt (max.): 0 to +50 °C
Other data	protection class II, in accordance with EN   IEC 60950-1 up to 3000 m above sea level; IP40 as per EN   IEC 60529

### Balance

Power supply	only via Sartorius AC adaptor module 6971790
Input voltage	12.0 ... 18.0 V DC
Power consumption	2 W (typically)

### Ambient Conditions

The specifications apply when the following ambient conditions are in place:	
Environment	for indoor use only
Ambient temperature *	+10 °C to +30 °C
Operational capacity	guaranteed between +5 °C and +45 °C
Storage and shipping	-10 °C to +60 °C
Elevation	up to 3000 m above sea level
Relative humidity**	15% to 80% for temperatures up to 31 °C; non-condensing, decreasing linearly to 50% relative humidity at 40 °C and 20% at 50 °C

<b>Safety of electrical equipment</b>	in accordance with EN 61010-1/IEC 61010-1. Safety requirements for electrical equipment for measurement, control, and laboratory use – Part 1: General requirements
---------------------------------------	---

<b>Electromagnetic compatibility</b>	in accordance with EN 61326-1/IEC 61326-1. Electrical equipment for measurement, control, and laboratory use – EMC requirements – Part 1: General requirements
--------------------------------------	--

Defined immunity to interference	Suitable for use in industrial areas
----------------------------------	--------------------------------------

Interference emission	Class B (suitable for use in residential areas and areas that are connected to a low voltage network that also supplies residential buildings). The device can therefore be used in both areas.
-----------------------	---

Balances verified for use in legal metrology comply with the requirements of Council Directive 2009/23/EC, EN 45501:1992, and OIML R76:2006.

\* For balances verified for use in legal metrology in accordance with EU requirements, refer to the information on the balance.

\*\* For balances verified for use in legal metrology in accordance with EU requirements, the legal regulations apply.

# Technical Specifications

## Standard Equipment

Levelling	Glass level indicator with air bubble for centering
Calibration	Internal calibration isoCAL, External calibration
Selectable weight units <sup>1</sup>	Gram, kilogram, carat, pound, ounce, troy ounce, Hong Kong tael, Singapore tael, Taiwan tael, grain, pennyweights, milligram, parts per pound, China tael, mommes, Austrian carat, tola, baht, mesghal and Newton
Interface	mini USB – Automatic recognition of Sartorius printer models YDP30 or YDP40 – Direct data transfer to Microsoft® Windows programs – Programmable interval for data output – Data transfer protocols SBI, xBPI, table format, text format
Display	Touch screen with Sartorius graphical user interface optimized for users in pharmaceutical laboratories
Standard built-in applications	Weighing, Density, Percentage, Checkweighing, Peak Hold, Counting, Unstable Conditions
Special built-in lab applications	Mixing, Components, Statistics, Conversion
Languages	English, German, French, Spanish, Italian, Russian, Chinese, Polish, Japanese, Portuguese
Protection	– Chemical resistant finish of the housing – In-use cover – Dust cover for analytical balances
Password protection	Supervisor lock for protection against unintentional changes
Anti-theft lock	Kensington lock and lockdown capability for cable or chain
Underfloor weighing	Integrated

<sup>1</sup> Limited for verified models



### Analytical Balances Quintix®

Model		224	124
Weighing capacity	g	220	120
Readability	mg	0.1	0.1
Repeatability (standard deviation)	mg	0.1	0.1
Linearity deviation	mg	0.2	0.2
Sensitivity drift between +10 °C and +30 °C	± ppm/K	1.5	1.5
Typical stabilization time	s	3	2
isoCAL:			
– Temperature change	K	1.5	1.5
– Time interval	h	4	4
Display result (depending on the set filter level)	s	0.2	0.2
Weighing pan size	mm	∅ 90	∅ 90
Weighing chamber height	mm	209	209
Net weight, approx.	kg	4.9	4.9
Dimensions, D × W × H	mm Inch	360 × 216 × 320 14.1 × 8.5 × 12.6	

### Precision Balances Quintix®

Model		513	313	213	5102	3102	2102	1102	612	5101	5100	
Weighing capacity	g	510	310	210	5100	3100	2100	1100	610	5100	5100	
Readability	mg	1	1	1	10	10	10	10	10	100	1000	
Repeatability (standard deviation)	mg	1	1	1	10	10	10	10	10	100	500	
Linearity deviation	mg	2	2	2	20	20	30	30	30	300	1000	
Sensitivity drift between +10 °C and +30 °C	± ppm/K	3	3	3	3	3	5	5	5	10	10	
Typical stabilization time	s	1.5	1.5	1.5	1.5	1.5	2	2	2	2	2	
isoCAL:												
– Temperature change	K	2	4	4	2	4	4	4	4	4	4	
– Time interval	h	6	12	12	6	12	12	24	24	24	24	
Display result (depending on the set filter level)	s	0.1   0.2	0.1   0.2	0.1   0.2	0.1   0.2	0.1   0.2	0.1   0.2	0.1   0.2	0.1   0.2	0.1   0.2	0.1   0.2	
Weighing pan size	mm	∅ 120	∅ 120	∅ 120	∅ 180	∅ 180	∅ 180	∅ 180	∅ 180	∅ 180	∅ 180	
Weighing chamber height	mm	209	209	209	–	–	–	–	–	–	–	
Net weight, approx.	kg	4.9	4.9	4.9	5.2	5.2	4.7	4.7	4.7	4.7	4.7	
Dimensions, D × W × H	mm Inch	360 × 216 × 320 14.1 × 8.5 × 12.6						360 × 216 × 95 14.1 × 8.5 × 3.75				

## Verified Models with Country-specific Type Approval Certificate

### Analytical Balances Quintix®

Model		224-1x <sup>1</sup>	124-1x <sup>1</sup>
Accuracy class		Ⓡ	Ⓡ
Type <sup>2</sup>		SQP-A	SQP-A
Max	g	220	120
Scale interval d	mg	0.1	0.1
Verification scale interval e	mg	1	1
Min	mg	10	10
Tare (subtractive)		<100 % of the max. weighing capacity	
Typical stabilization time	s	3	2
isoCAL:			
- Temperature change	K	1.5	1.5
- Time interval	h	4	4
Display result (depending on the set filter level)	s	0.2	0.2
Weighing pan size	mm	∅ 90	∅ 90
Weighing chamber height	mm	209	209
Net weight, approx.	kg	4.9	4.9
Dimensions, D x W + H	mm Inch	360 x 216 x 320 14.1 x 8.5 x 12.6	

### Precision Balances Quintix®

Model		513-1x <sup>1</sup>	313-1x <sup>1</sup>	213-1x <sup>1</sup>	5102-1x <sup>1</sup>	3102-1x <sup>1</sup>	2102-1x <sup>1</sup>	1102-1x <sup>2</sup>	612-1x <sup>1</sup>	5101-1x <sup>1</sup>	5100-1x <sup>1</sup>	
Accuracy class		Ⓡ	Ⓡ	Ⓡ	Ⓡ	Ⓡ	Ⓡ	Ⓡ	Ⓡ	Ⓡ	Ⓡ	
Type <sup>2</sup>		SQP-B	SQP-B	SQP-B	SQP-C	SQP-C	SQP-D	SQP-D	SQP-D	SQP-E	SQP-E	
Max	g	510	310	210	5100	3100	2100	1100	610	5100	5100	
Scale interval d	mg	1	1	1	10	10	10	10	10	100	1000	
Verification scale interval e	mg	10	10	10	100	100	100	100	100	1000	1000	
Min	g	0.02	0.02	0.02	0.5	0.5	0.5	0.5	0.5	5	50	
Tare (subtractive)		< 100% of the max. weighing capacity										
Typical stabilizations time		1.5	1.5	1.5	1.5	1.5	2	2	2	2	2	
isoCAL:												
- Temperature change	K	2	2	2	2	2	2	2	2	2	2	
- Time interval	h	4	6	6	6	6	6	6	6	6	6	
Display result (depending on the set filter level)	s	0.1   0.2	0.1   0.2	0.1   0.2	0.1   0.2	0.1   0.2	0.1   0.2	0.1   0.2	0.1   0.2	0.1   0.2	0.1   0.2	
Weighing pan size	mm	∅ 120	∅ 120	∅ 120	∅ 180	∅ 180	∅ 180	∅ 180	∅ 180	∅ 180	∅ 180	
Weighing chamber height	mm	209	209	209	-	-	-	-	-	-	-	
Net weight, approx.	kg	4.9	4.9	4.9	5.2	5.2	4.7	4.7	4.7	4.7	4.7	
Dimensions, D x W x H	mm Inch	360 x 216 x 320 14.1 x 8.5 x 12.6						360 x 216 x 95 14.1 x 8.5 x 3.75				

<sup>1</sup> Possible terms for country-specific models:

x = CEU: Verified balances with EC Type Approval Certificate D12-09-014 (for EU except France, Italy, and Switzerland)

x = CFR: Verified balances with EC Type Approval Certificate D12-09-014 for France only

x = CIT: Verified balances with EC Type Approval Certificate D12-09-014 for Italy only

x = CCH: Verified balances with EC Type Approval Certificate D12-09-014 for Switzerland only

x = NUS: NTEP Certificate for USA

x = CN: CMC Type Approval Certificate for China

x = OJP: Balance with Type Approval Certificate for Japan

x = OBR: Balance with Type Approval Certificate for Brazil

x = OAR: Balance with Type Approval Certificate for Argentina

x = OKR: Balance with Type Approval Certificate for South Korea

x = ORU: Balance with Type Approval Certificate for Russia

x = OIN: Balance with Type Approval Certificate for India

x = OCA: Balance with Type Approval Certificate for Canada

<sup>2</sup> All models with "...CN": type "SQP"

## Optional Accessories

### Printers and Communications

Premium GLP Laboratory Printer	YDP30
– Printer paper for GLP laboratory printer	69Y03285
– Endless labels for GLP laboratory printer	69Y03286
Standard Laboratory Printer	YDP40
– Printer paper for standard laboratory printer	69Y03287
Data Cable Mini USB   USB A	YCC04-D09
Data Cable Mini USB   RS232 9-pin	YCC03-D09

### General

Battery Pack for Standard Lab Balances	YRB11Z
Draft Shield for analytical balances	YDS01SQP
In-use cover for analytical balances	6960SE01
In-use cover for precision balances	6960SE02
Dust cover for analytical balances with draft shield	6960SE03

### Density Determination

Density kit for analytical balances	YDK03
Density kit for precision balances	YDK04
– for lab balance model 2102; 1102; 612	

### Calibration Weights

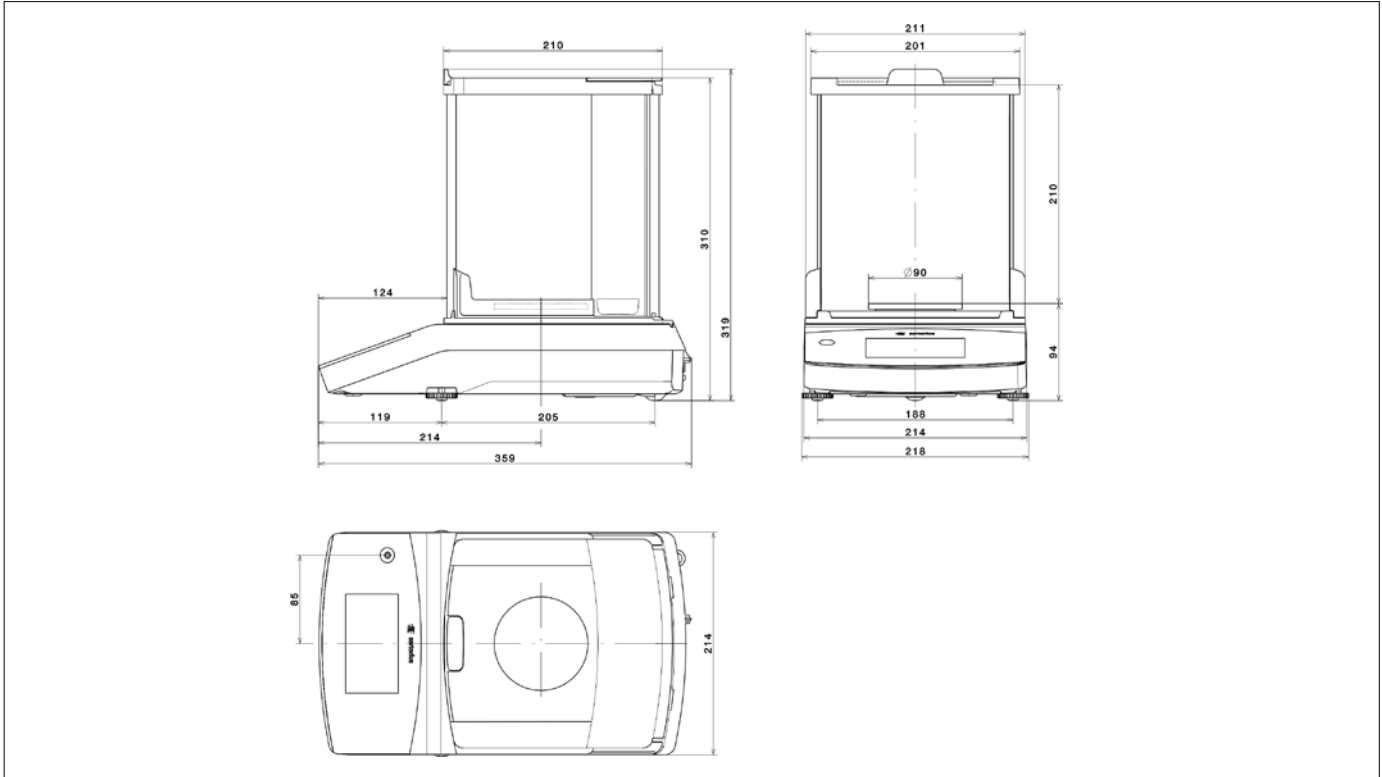
Calibration for lab balance model 124	YCW512-AC-02
– Proof Line knob weight 100 g, OIML class E2, with DAkkS certificate	
Calibration for lab balance model 224; 313; 213	YCW522-AC-02
– Proof Line knob weight 200 g, OIML class E2, with DAkkS certificate	
Calibration for lab balance model 513; 612	YCW552-AC-02
– Proof Line knob weight 500 g, OIML class E2, with DAkkS certificate	
Calibration for lab balance model 1102	YCW612-AC-02
– Proof Line knob weight 1 kg, OIML class E2, with DAkkS certificate	
Calibration for lab balance model 3102; 2102	YCW622-AC-02
– Proof Line knob weight 2 kg, OIML class E2, with DAkkS certificate	
Calibration for lab balance model 5102; 5101; 5100	YCW652-AC-02
– Proof Line knob weight 5 kg, OIML class E2, with DAkkS certificate	



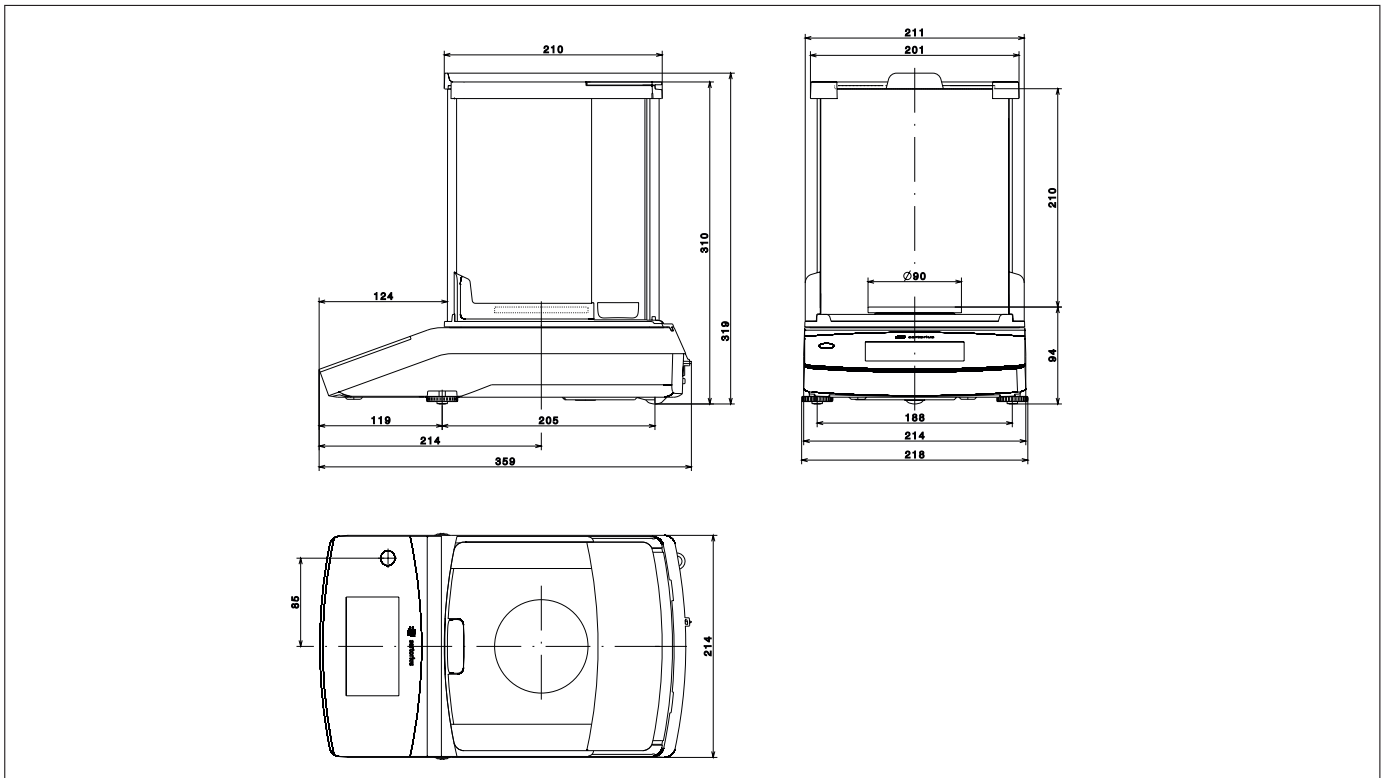
YDP40, Standard Laboratory Printer

# Technical Drawings

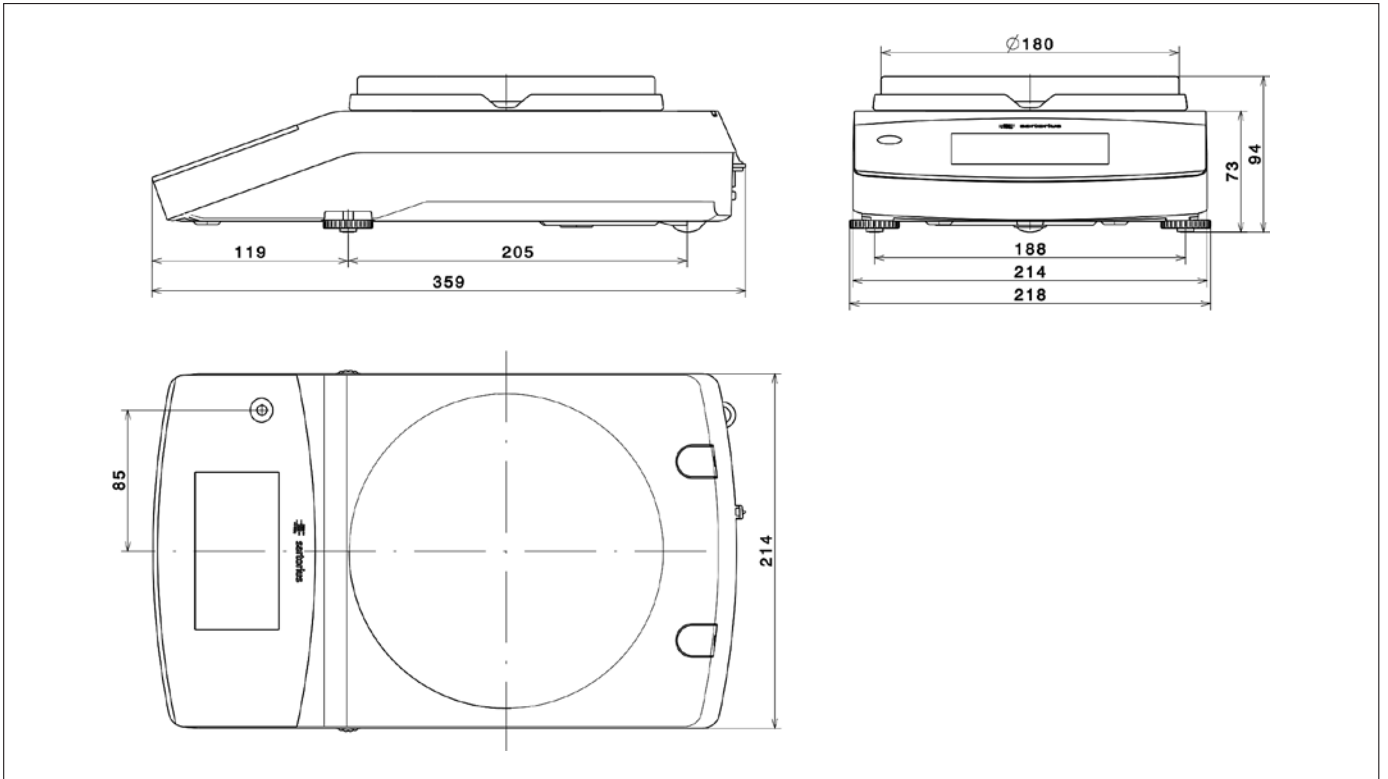
Models with a readability of 0.1 mg, in mm



Models with a readability of 1 mg, in mm



Models with a readability of  $\geq 10$  mg, in mm





# Sales and Service Contacts

For further contacts, visit [www.sartorius.com](http://www.sartorius.com)

## Europe

### Germany

Sartorius Weighing Technology GmbH  
Weender Landstrasse 94-108  
37075 Goettingen

Phone +49.551.308.0  
Fax +49.551.308.3289

### France & Suisse Romande

Sartorius France S.A.S.  
ZI Les Paluds  
Avenue de Jouques - CS 31090  
13781 Aubagne Cedex

Phone +33.442.845600  
Fax +33.442.846545

### Austria

Sartorius Austria GmbH  
Franzosengraben 12  
1030 Vienna

Phone +43.1.7965760.0  
Fax +43.1.7965760.24

### Belgium

Sartorius Belgium N.V.  
Leuvensesteenweg, 248/B  
1800 Vilvoorde

Phone +32.2.756.06.71  
Fax +32.2.253.45.95

### Finland & Baltics

Sartorius Biohit Liquid Handling Oy  
Laippatie 1  
00880 Helsinki

Phone +358.9.755.951  
Fax +358.9.755.95.292

### Hungary

Sartorius Hungária Kft.  
Kagyló u. 5.  
2092 Budakeszi

Phone +3623.457.227  
Fax +3623.457.147

### Ireland

Sartorius Ireland Ltd.  
Unit 41, The Business Centre  
Stadium Business Park  
Ballycoolin Road  
Dublin 11

Phone +353.1.8089050  
Fax +353.1.8089388

### Italy

Sartorius Italy S.r.l.  
Via dell'Antella, 76/A  
50012 Antella-Bagno a Ripoli (FI)

Phone +39.055.63.40.41  
Fax +39.055.63.40.526

### Poland

Sartorius Poland sp.z o.o.  
ul. Wrzesinska 70  
62-025 Kostrzyn

Phone +48.61.6473830  
Fax +48.61.6473839

### Russian Federation

LLC "Sartorius ICR"  
and LLC "Biohit"  
Uralskaya str. 4, Lit. B  
199155, Saint-Petersburg

Phone +7.812.327.5.327  
Fax +7.812.327.5.323

### Spain & Portugal

Sartorius Spain S.A.  
Offices in Madrid:  
C/ Isabel Colbrand, 10-12, of. 70  
28050 Madrid

Phone Spain +34.902.123.367  
Phone Portugal +351.800.855.800  
Fax Spain +34.91.358.84.85  
Fax Portugal +351.800.855.799

### Switzerland

Sartorius Mechatronics Switzerland AG  
Ringstrasse 24a  
8317 Tagelswangen (ZH)

Phone +41.44.746.50.00  
Fax +41.44.746.50.50

### U.K.

Sartorius UK Ltd.  
Longmead Business Centre  
Blenheim Road, Epsom  
Surrey KT19 9QQ

Phone +44.1372.737159  
Fax +44.1372.729927

## America

### USA

Sartorius Corporation  
5 Orville Drive, Suite 200  
Bohemia, NY 11716

Phone +1.631.254.4249  
Toll-free +1.800.635.2906  
Fax +1.631.254.4253

### Argentina

Sartorius Argentina S.A.  
Int. A. Ávalos 4251  
B1605ECS Munro  
Buenos Aires

Phone +54.11.4721.0505  
Fax +54.11.4762.2333

### Brazil

Sartorius do Brasil Ltda  
Av. Dom Pedro I, 241  
Bairro Vila Pires  
Santo André  
São Paulo  
Cep 09110-001

Phone +55.11.4451.6226  
Fax +55.11.4451.4369

### Canada

Sartorius Canada Inc.  
2179 Dunwin Drive #4  
Mississauga, ON L5L 1X2

Phone +1.905.569.7977  
Toll-Free +1.800.668.4234  
Fax +1.905.569.7021

### Mexico

Sartorius de México S.A. de C.V.  
Circuito Circunvalación Poniente  
No. 149  
Ciudad Satélite  
53100, Estado de México  
México

Phone +52.5555.62.1102  
Fax +52.5555.62.2942

## Asia | Pacific

### Australia

Sartorius Australia Pty. Ltd.  
Unit 5, 7-11 Rodeo Drive  
Dandenong South Vic 3175

Phone +61.3.8762.1800  
Fax +61.3.8762.1828

### China

Sartorius Scientific  
Instruments (Beijing) Co., Ltd.  
33 Yu An Road, Airport Industrial Park  
Zone B,  
Shunyi District, Beijing 101300,  
P.R.China

Phone +86.10.8042.6300  
Fax +86.10.8042.6486

### Hong Kong

Sartorius Hong Kong Ltd.  
Unit 1012, Lu Plaza  
2 Wing Yip Street  
Kwung Tong  
Kowloon, Hong Kong

Phone +852.2774.2678  
Fax +852.2766.3526

### India

Sartorius Weighing India Pvt. Ltd.  
#69/2-69/3, NH 48, Jakkasandra,  
Nelamangala Tq  
562 123 Bangalore, India

Phone +91.80.4350.5250  
Fax +91.80.4350.5253

### Japan

Sartorius Stedim Japan K.K.  
4th Fl., Daiwa Shinagawa North Bldg.  
8-11, Kita-Shinagawa 1-chome  
Shinagawa-ku, Tokyo, 140-0001 Japan

Phone +81.3.4331.4300  
Fax +81.3.4331.4301

### Malaysia

Sartorius Malaysia Sdn. Bhd  
Lot L3-E-3B, Enterprise 4  
Technology Park Malaysia  
Bukit Jalil  
57000 Kuala Lumpur, Malaysia

Phone +60.3.8996.0622  
Fax +60.3.8996.0755

### Singapore

Sartorius Singapore Pte. Ltd  
1 Science Park Road,  
The Capricorn, #05-08A,  
Singapore Science Park II  
Singapore 117528

Phone +65.6872.3966  
Fax +65.6778.2494

### South Korea

Sartorius Korea Ltd.  
8th Floor, Solid Space B/D,  
PanGyoYeok-Ro 220, BunDang-Gu  
SeongNam-Si, GyeongGi-Do, 463-400

Phone +82.31.622.5700  
Fax +82.31.622.5799

### Thailand

Sartorius (Thailand) Co. Ltd.  
129 Rama 9 Road,  
Huaykwang  
Bangkok 10310

Phone +66.2643.8361-6  
Fax +66.2643.8367



◀ [www.sartorius.com](http://www.sartorius.com)