

This document courtesy of:



[Data Weighing Systems, Inc.](#)

[Contact Us](#)

For immediate assistance call
1-800-750-6842

Break-Over Wrenches Interchangeable Head Style



Designed and manufactured to meet or exceed the accuracy and repeatability requirements of ISO 6789: 1992 ($\pm 4\%$ of setting).

"Breaks-over" when preset torque is reached eliminating overtorquing.

The break-over mechanism minimizes shock to assemblies.

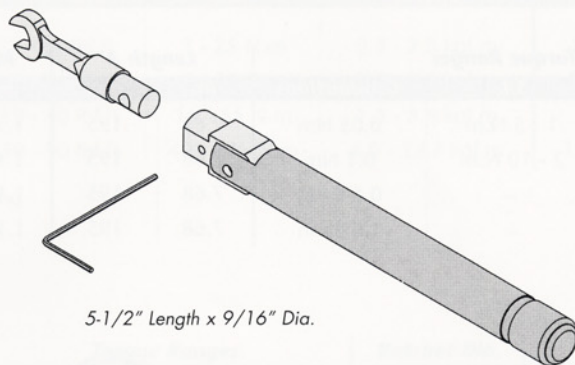
Torque ranges 25 ozf.in - 50 lbf.in. For smaller torque ranges see MMTB models.

Interchangeable heads are manufactured with a common center line so the torque setting remains the same when head sizes are changed.

TBH also accepts Utica "A" size heads (Utica is a registered trademark of Cooper Power Tools).

Small and lightweight. Ideal for use in restricted spaces.

Six different colored aluminium handles allow for color coding of specific torque values in production areas.



Handle Color: Black

Item#	Torque Ranges
068000-A	25 - 50 ozf.in
068000-B	3 - 12 lbf.in
068000-C	12 - 21 lbf.in
068000-D	20 - 50 lbf.in

Handle Color: Silver

Item#	Torque Ranges
067999-A	25 - 50 ozf.in
067999-B	3 - 12 lbf.in
067999-C	12 - 21 lbf.in
067999-D	20 - 50 lbf.in

Handle Color: Blue

Item#	Torque Ranges
068001-A	25 - 50 ozf.in
068001-B	3 - 12 lbf.in
068001-C	12 - 21 lbf.in
068001-D	20 - 50 lbf.in

Handle Color: Red

Item#	Torque Ranges
068002-A	25 - 50 ozf.in
068002-B	3 - 12 lbf.in
068002-C	12 - 21 lbf.in
068002-D	20 - 50 lbf.in

Handle Color: Green

Item#	Torque Ranges
068003-A	25 - 50 ozf.in
068003-B	3 - 12 lbf.in
068003-C	12 - 21 lbf.in
068003-D	20 - 50 lbf.in

Handle Color: Gold

Item#	Torque Ranges
068004-A	25 - 50 ozf.in
068004-B	3 - 12 lbf.in
068004-C	12 - 21 lbf.in
068004-D	20 - 50 lbf.in

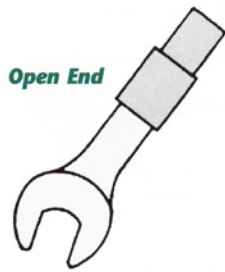
• Torque is easily adjusted by removing the cap and turning the adjustment screw with the 3/16" Hex Key (supplied).

Then verify torque output using a torque analyzer.

• Note: select a head style to be attached to the handle on next page

TBIH

Interchangeable Heads



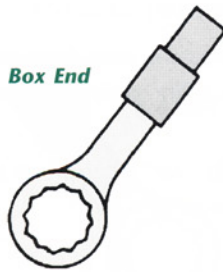
Open End

American

Size in.	Item#
5/64	068115
1/8	068100
9/64	068180
5/32	068101
3/16	068102
7/32	068103
15/64	068215
1/4	068104
9/32	068105
5/16	068106
11/32	068107
3/8	068108
13/32	068098
7/16	068109
1/2	068110
9/16	068111
5/8	068112
11/16	068114
3/4	068113
13/16	068099

Metric

Size mm	Item#
3	068159
4	068202
5	068139
6	068140
6.5	068160
7	068141
8	068142
9	068143
10	068144
11	068145
12	068146
13	068147
14	068148
15	068136
21	068138



Box End

American

Size in.	Item#
1/8	068120
5/32	068121
3/16	068122
7/32	068123
1/4	068124
9/32	068125
5/16	068126
11/32	068127
3/8	068128
7/16	068129
1/2	068130
9/16	068131
5/8	068132
11/16	068133
3/4	068134

Metric

Size mm	Item#
6	068150
7	068151
8	068152
9	068153
10	068154
11	068155
12	068156
13	068157
17	068137



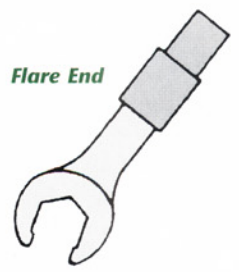
Hex Key

American

Size in.	Item#
5/64	068162
3/32	068163
7/64	068164
1/8	068165
9/64	068166
5/32	068167
3/16	068168
7/32	068169
1/4	068170
7/16	068172

Metric

Size mm	Item#
1.5	068236
2	068181
2.5	068182
3	068183
3.5	068184
4	068185



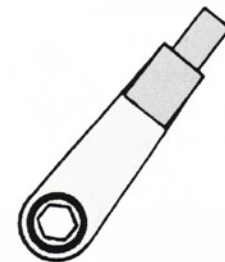
Flare End

American

Size in.	Item#
1/4	068188
5/16	068189
3/8	068187
7/16	061553
1/2	068198
9/16	068190

Metric

Size mm	Item#
15	068194



Ratchet

Size in.	Item#
1/4 Hex	068195

For Ratchet Accessories,
see page 4.17