

This document courtesy of:



[Data Weighing Systems, Inc.](#)

---

[Contact Us](#)

For immediate assistance call  
1-800-750-6842

# Torque Reaction Transducer

Accuracy  $\pm .25\%$  of full scale  
(except BMX2500F\* & BMX5000F\* accuracy  $\pm 0.5\%$  of full scale).

Various models that range from 2 ozf.in to 5000 lbf.ft.

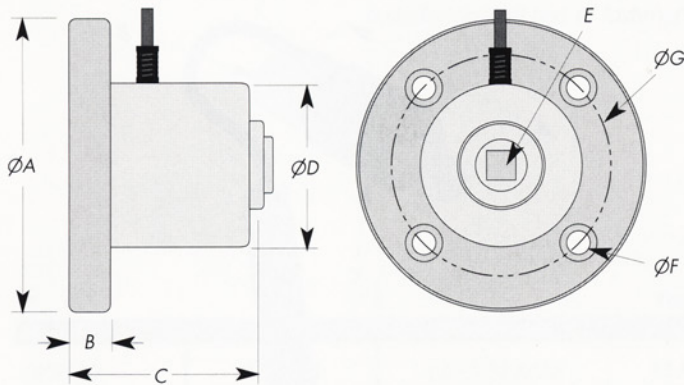
Bi-directional.

Female square drive requires no adapters.

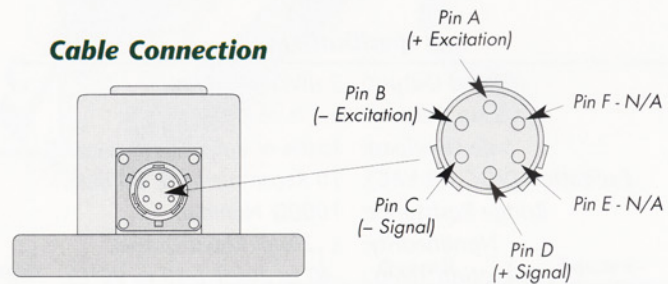
For calibrating manual and power tools or special applications.

## Specifications

**Rated Output:** 2 mV/V Nominal  
**Safe Overload:** 150% of Rated Output  
**Bridge Resistance:** 350 $\Omega$  Nominal  
**Nonlinearity:**  $\pm .1\%$  of Rated Output  
**Operating Temperature:** -40 to 200°F (-40 to 90°C)



## Cable Connection



Model	Item#	Torque Ranges		Dimensions in						
		American	S.I.	A	B	C	D	E	F	G
BMX20z	075219	2 - 20 ozf.in	14 - 141 mN.m	2.75	0.500	2.10	1.70	1/4	0.25	2.175
BMX40z	075215	4 - 40 ozf.in	28 - 282 mN.m	2.75	0.500	2.10	1.70	1/4	0.25	2.175
BMX80z	075216	8 - 80 ozf.in	56 - 564 mN.m	2.75	0.500	2.10	1.70	1/4	0.25	2.175
BMX160z	075220	16 - 160 ozf.in	113 - 1129 mN.m	2.75	0.500	2.10	1.70	1/4	0.25	2.175
BMX25i	075217	2.5 - 25 lbf.in	28 - 282 cN.m	2.75	0.500	2.10	1.70	1/4	0.25	2.175
BMX50i	075202	5 - 50 lbf.in	56 - 564 cN.m	2.75	0.500	2.10	1.70	1/4	0.25	2.175
BMX100i	075203	10 - 100 lbf.in	112 - 1129 cN.m	2.75	0.500	2.10	1.70	1/4	0.25	2.175
BMX250i	075204	25 - 250 lbf.in	282 - 2824 cN.m	2.75	0.500	2.10	1.70	1/4	0.25	2.175
BMX500i	075218	50 - 500 lbf.in	565 - 5650 cN.m	2.75	0.500	2.10	1.70	1/4	0.25	2.175
BMX750i	075205	75 - 750 lbf.in	847 - 8473 cN.m	2.75	0.400	2.10	1.75	3/8	0.25	2.175
BMX50F	075206	5 - 50 lbf.ft	7 - 68 N.m	2.75	0.400	2.10	1.75	3/8	0.25	2.175
BMX100F	075207	10 - 100 lbf.ft	13 - 135 N.m	4.00	0.600	2.75	2.25	1/2	0.413	3
BMX250F	075208	25 - 250 lbf.ft	33 - 338 N.m	4.00	0.600	2.75	2.25	1/2	0.413	3
BMX500F	075212	50 - 500 lbf.ft	67 - 677 N.m	4.00	0.600	3.00	2.40	3/4	0.413	3
BMX1000F	075209	100 - 1000 lbf.ft	135 - 1355 N.m	4.00	0.600	3.75	2.38	1	0.406	3
BMX2500F	075210	250 - 2500 lbf.ft	338 - 3389 N.m	6.00	0.750	4.65	3.88	1 1/2	0.531	4.75
BMX5000F	075211	500 - 5000 lbf.ft	678 - 6779 N.m	6.00	0.750	4.65	3.88	1 1/2	0.531	4.75

- Not recommended for impact wrenches
- Always use a rundown adapter when testing power tools
- For rundown adapters, see page 1.20
- Horizontal Mounting Bracket Item# 062109

- Cable for connecting BMX to TorqueLab® or TorqueMate® Plus - #065145-XD5
- Cable for connecting BMX to Wizard - #065145-WD5
- \* System Accuracy when mated with Mountz analyzer  
 System Accuracy  $\pm 1\%$  of reading from 20% to 100%  
 System Accuracy  $\pm 2\%$  of reading from 10% to 20%