

This document courtesy of:



[Data Weighing Systems, Inc.](#)

[Contact Us](#)

For immediate assistance call
1-800-750-6842

High-resolution Class $\text{\textcircled{II}}$ and $\text{\textcircled{III}}$ IS Weighing Platforms. 16–300 kg.



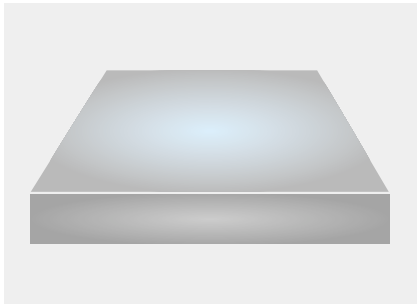
Sartorius AG, Weighing Technology

sartorius

High-resolution Weighing Platforms with Capacities from 16 to 64 kg.

These weighing platforms are especially designed for use in tough industrial environments.

They come with Sartorius' entire technical expertise built in.



The weighing platforms are certified as class (II) and (III) weighing instruments in conformance with the EC Council Directive 90/384/EEC, which defines the permissible metrological specifications.

- Complete, ready-to-connect platforms consisting of a weighing system, electronics, enclosure, load plate and cable for connection to an isi industrial terminal, computer or PLC;
- Rugged construction; stainless steel load plate;
- Built-in calibration system;
- IP65-protected against dust and washdown (DIN 40050/IEC 529);
- Certified EC type approval; CE mark of conformity;
- Initial verification available through the Sartorius organization.

Model		IS16EDE-HOCE
Platform size (WxDxH)	mm	400 x 300 x 120
Weighing range structure		*Verifiable*** and configurable
IP protection		IP65
Maximum capacity	kg	16
Scale interval, d (readability)	g	0.1
Zero tracking $\pm 2\%$	kg	± 0.32
Initial zero-setting range	kg	± 1
Preload**	kg	4
isoTEST function		yes
Accuracy class		(II)
Verification scale interval, e	g	1
Minimum capacity for use in legal metrology acc. to the applicable EC Directive	g	5
Temperature range	$^{\circ}\text{C}$	+10...+30

Model		IS34EDE-HOCE
Platform size (WxDxH)	mm	400 x 300 x 120
Weighing range structure		*Verifiable*** and configurable
IP protection		IP65
Maximum capacity	kg	34
Scale interval, d (readability)	g	0.1
Zero tracking $\pm 2\%$	kg	± 0.68
Initial zero-setting range	kg	± 1
Preload	kg	4
isoTEST function		yes
Accuracy class		(II)
Verification scale interval, e	g	1
Minimum capacity for use in legal metrology according to the applicable EC Directive	g	5
Temperature range	$^{\circ}\text{C}$	+10...+30

Model		IS64EDE-HOCE
Platform size (WxDxH)	mm	400 x 300 x 120
Weighing range structure		*Verifiable*** and configurable
IP protection		IP65
Maximum capacity	kg	64
Scale interval, d (readability)	g	1
Zero tracking $\pm 2\%$	kg	± 1.28
Initial zero-setting range	kg	± 1.3
Preload	kg	13
isoTEST function		yes
Accuracy class		(II)
Verification scale interval, e	g	10
Minimum capacity for use in legal metrology according to the applicable EC Directive	g	50
Temperature range	$^{\circ}\text{C}$	+10...+30

* Factory setting

** The maximum capacity will not be reduced as long as the preload is within the indicated range. Higher preloads will reduce the maximum capacity in increments of 0.1 kg.

*** Verifiable for use in legal metrology

IS16EDE-H

400 x 300 x 120

*not for use in legal metrology

IP65

16

0.1

±0.32

±1

4

yes

-

-

-

-

-

+10...+30

IS34EDE-H

400 x 300 x 120

*not for use in legal metrology

IP65

34

0.1

±0.68

±1

4

yes

-

-

-

-

-

+10...+30

IS64EDE-H

400 x 300 x 120

*not for use in legal metrology

IP44

64

0.1

±1.28

±1.3

13

yes

-

-

-

-

-

+10...+30

IS64EDE-S

400 x 300 x 120

*not for use in legal metrology

IP65

64

1

±1.28

±1.3

13

yes

-

-

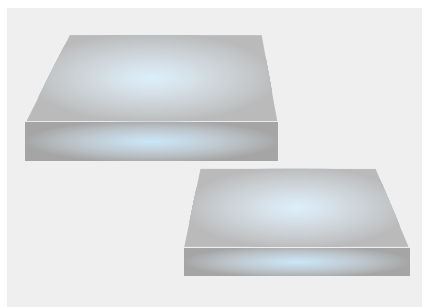
-

-

+10...+30

High-resolution Weighing Platforms with Capacities from 64 to 300 kg.

The IS64FEG-SOCE, IS150IGG-SOCE and IS300IGG-SOCE high-resolution weighing platforms are especially designed for use in tough industrial environments.



They come with Sartorius' entire technical expertise built in.

These weighing platforms are verified as class (II) and (III) weighing instruments in conformance with the EC Council Directive 90/384/EEC, which defines the permissible metrological specifications.

- Complete, ready-to-connect platforms consisting of a weighing system, electronics, enclosure, load plate and cable for connection to an isi industrial terminal, computer or PLC
- Rugged construction; stainless steel load plate
- Built-in calibration system;
- IP67-protected against dust, washdown and immersion (DIN 40050/IEC 529);
- Certified EC type approval; CE mark of conformity
- Initial verification available through the Sartorius organization

Model		IS64FEG-SOCE		
Platform size (WxDxH)	mm	560x450x95		
Weighing range structure		SuperRange ¹⁾	SingleRange	
		←		
Maximum capacity	kg	64	51	31
Scale interval, d (readability)	g	1	1	1
Zero tracking ± 2%	kg	±1.8	±1.02	±0.62
Initial zero-setting range	kg	±1.3	±1.3	±1.3
Preload	kg	0	13	33
isoTEST function		yes	yes	yes ²⁾
Accuracy class		(II)	(II)	
Verification scale interval, e	g	10	10	
Minimum capacity for use in legal metrology according to the applicable EC Directive	g	50	50	
Temperature range	°C	←		

Model		IS150IGG-SOCE		
Platform size (WxDxH)	mm	800x600x117		
Weighing range structure		SuperRange ¹⁾	SingleRange	
		←		
Maximum capacity	kg	150	61	31
Scale interval, d (readability)	g	1	1	1
Zero tracking ± 2%	kg	±3	±1.22	±0.62
Initial zero-setting range	kg	±10	±10	±10
Preload (electronic)	kg	30	120	150
isoTEST function		yes	yes ³⁾	yes ³⁾
Accuracy class		(II)	(II)	
Verification scale interval, e	g	10	10	
Minimum capacity for use in legal metrology according to the applicable EC Directive	g	50	50	
Temperature range	°C	←		

Model		IS300IGG-SOCE		
Platform size (WxDxH)	mm	800x600x117		
Weighing range structure		SuperRange ¹⁾	SingleRange	
		←		
Maximum capacity	kg	300	151	300
Scale interval, d (readability)	g	2	2	20
Zero tracking ± 2%	kg	±6	±3.02	±6
Initial zero-setting range	kg	±10	±10	±10
Preload (electronic)	kg	60	210	60
isoTEST function		yes	yes	yes
Accuracy class				
Verification scale interval, e	g			20
Minimum capacity for use in legal metrology according to the applicable EC Directive	g			1,000
Temperature range	°C	←		

¹⁾ Factory setting

²⁾ Up to a preload of 32 kg

Ordering Information

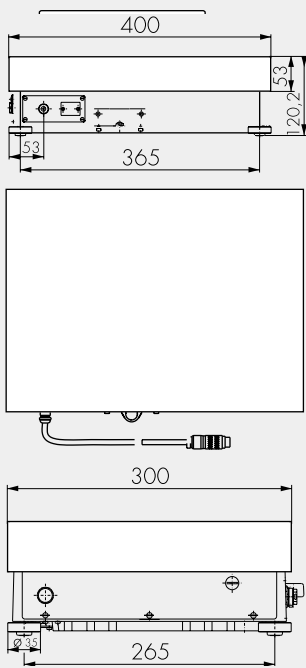
	Multi-Interval	SingleRange			
	Configurable	→			
16	15/30/64	64	64	31	16
1	5/10/20	10	20	10	5
±0.32	±1.28	±1.28	±1.28	±0.62	±0.32
±1.3	±1.3	±1.3	±1.3	±1.3	±1.3
48	0	0	0	33	48
yes ²⁾	yes	yes	yes	yes ²⁾	yes ²⁾
	Ⓜ	Ⓜ	Ⓜ	Ⓜ	Ⓜ
	5/10/20	10	20	10	5
	100	200	400	200	100
	0 ... +40	→			

	Multi-Interval	SingleRange			
	Configurable	→			
	30/60/150	150	150	60	30
	10/20/50	20	50	20	10
	±3	±3	±3	±1.22	±0.62
	±10	±10	±10	±10	±10
	30	30	30	120	150
	yes	yes	yes	yes ³⁾	yes ³⁾
	Ⓜ	Ⓜ	Ⓜ	Ⓜ	Ⓜ
	10/20/50	20	50	20	10
	200	400	1,000	400	200
	0 ... +40	→			

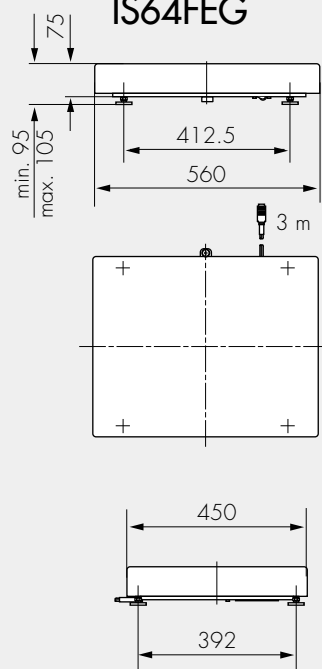
	Multi-Interval	SingleRange			
	Configurable	→			
61	60/150/300	300	300	151	61
2	20/50/100	50	100	50	20
±1.22	±6	±6	±6	±3	±1.2
±10	±10	±10	±10	±10	±10
300	60	60	60	210	300
yes ⁴⁾	yes	yes	yes	yes	yes ⁴⁾
	20/50/100	50	100	50	20
	400	1,000	2,000	1,000	400
	0 ... +40	→			

³⁾ Up to a preload of 95 kg ⁴⁾ Up to a preload of 245 kg

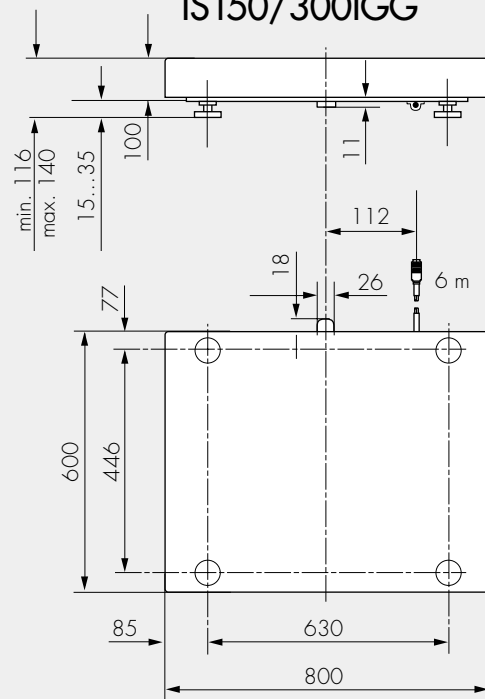
Platforms:
IS16/34/64EDE



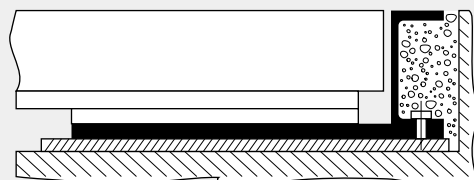
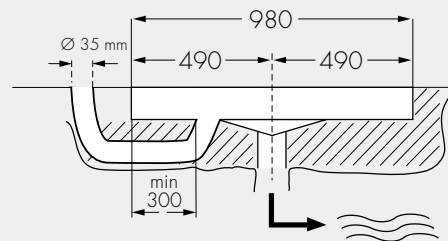
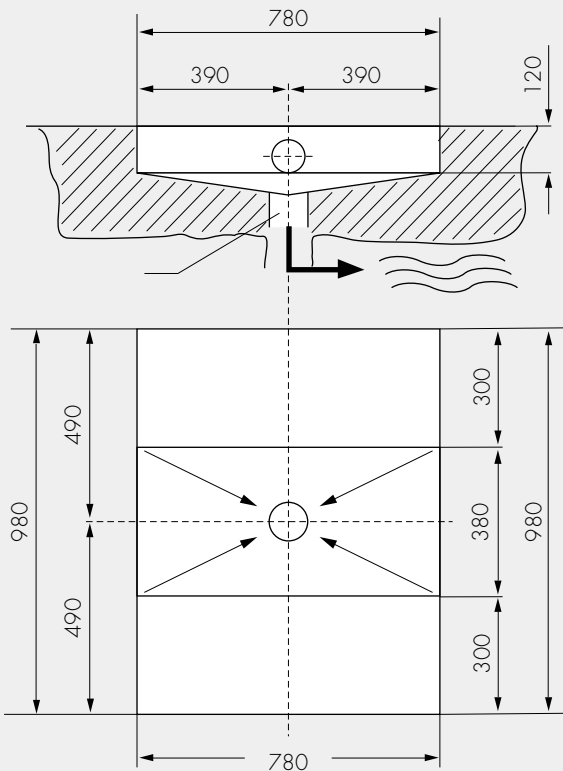
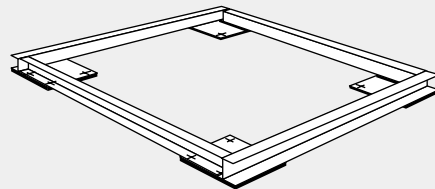
IS64FEG



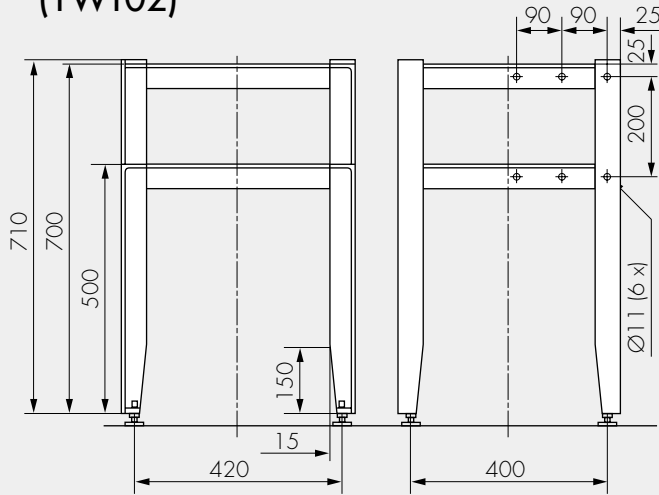
IS150/300IGG



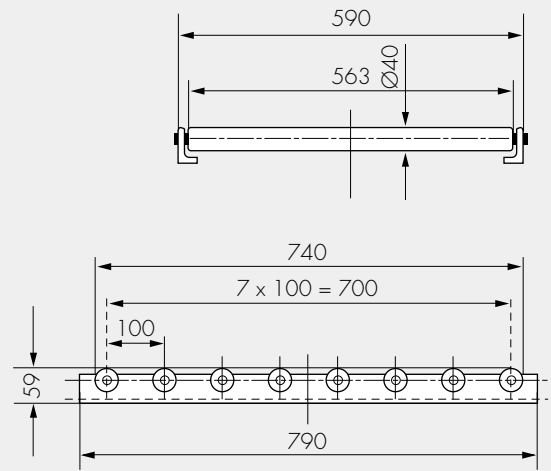
Pit Construction and Frame Installation Diagrams for
IS150/300IGG



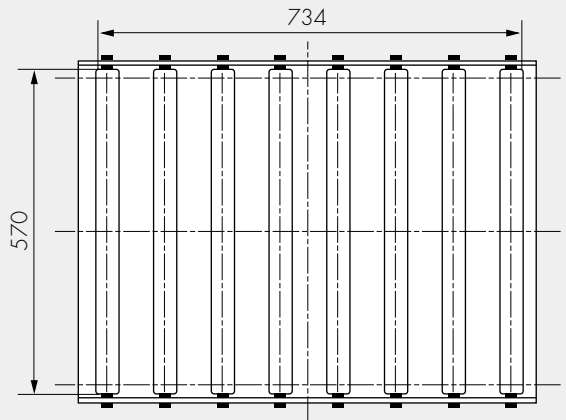
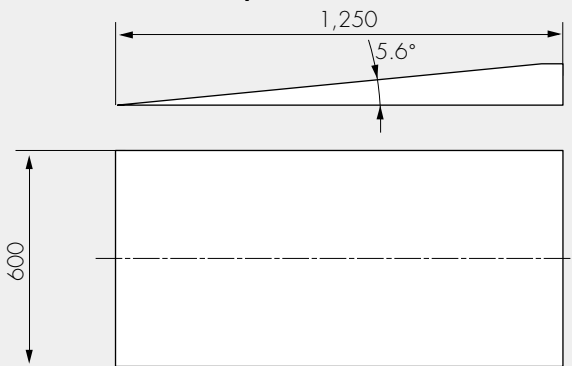
Bench Mounting Frame for IS64FEG (YWT02)



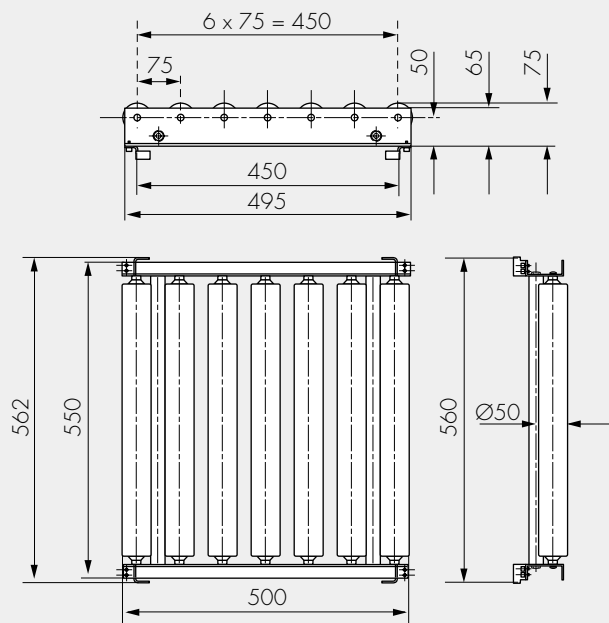
Roller Conveyor for IS150/300 IGG (608801)



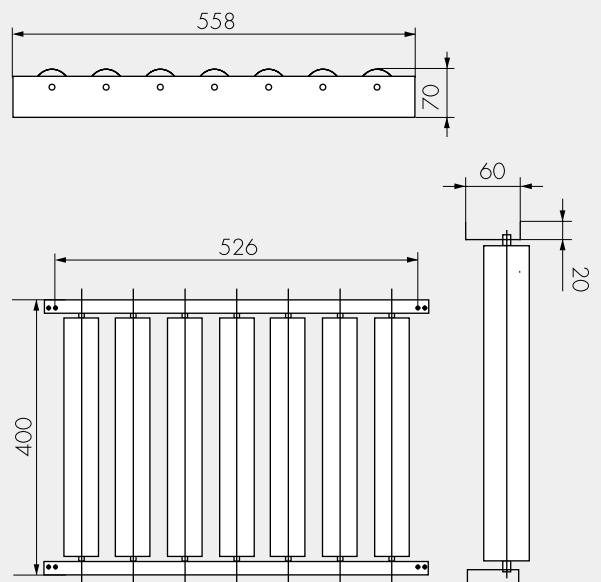
Drive-on Ramp for IGG Models



Roller Conveyor for IS64FEG (YRT01F-0001)



Roller Conveyor for IS16/34/64EDE (YRC01EDA and YRC01EDS)



Accessories	Order No.
Data interface with 3 m (~10 ft.) cable (IP67, RS-485) and round connector, electrically isolated for EDE models	YDO59IS
Data interface with 3 m (~10 ft.) cable (IP67, RS-485) and round connector, electrically insulated for FEG or IGG models	YDO51IS
Data interface with 3 m (~10 ft.) cable (IP67, RS-232C/RS-423) and round connector, for FEG or IGG models	YDO52IS
Data interface with 3 m (~10 ft.) cable (IP67, RS-485) and round connector, for EDE models	YDO58IS
Extension cable to connect an isi terminal to a weighing platform; 12-pin round connector to 12-contact round connector (IP65, 6 m) (~20 ft.)	YCC01-01ISM6
Round female connector, 12-contact (IP65); for configuring existing cable	69QC0011
Round male connector, 12-pin (IP65); for configuring existing cable	69QC0010
Adapter cable, from round connector to PC, 25-pin D-Submini, 0.2 m (~0.66 ft.) long (YDO52IS or YDO58IS required)	YCC01-0017D2
PC adapter cable, 25-pin D-Submini to 9-contact D-Submini, 0.25 m (~0.82 ft.) long (YDO58IS or YDO52IS with YCC01-0017D2 required)	6965619
Customized cables and accessories available from our Fast Factory (contact your local Sartorius office or dealer)	Special Order
Stainless steel tag plate for ID labels; fastens to cable	YAS01IS
Special menu access locking device, IP67 (for external positioning of the menu access locking function and the labeling on weighing platforms built into systems)	YAS02IS
Upgrade kit for DC power supply to the weighing platform (without using an external AC adapter or power supply); IP67 cable gland (to be installed by an authorized service technician only)	YAS03IS
External rechargeable battery pack (YAS03IS required)	YRB06Z
IP65 AC adapter, 3 m primary cable; 1.5 m secondary cable; to be installed by an authorized service technician only (YAS03IS required)	220 V~ 6971899
	110 V~ 6971500
Benchtop mounting frame for FEG models	YVVT02
Roller conveyor with 7 rollers for EDE models (aluminum)	YRC01EDA
Roller conveyor with 7 rollers for EDE models (stainless steel)	YRC01EDS
Roller conveyor with 7 rollers for FEG models	YRTO1F-0001
Roller conveyor with 8 rollers for IGG models	608801
Configuration diskette for IS weighing platforms (PC, DOS) without interface cable (for equipment configurations without isi)	YAD01IS
Drive-on ramp for IGG models (1,250 x 600 mm), steel with painted finish, incl. installation kit	YAR10IS
Pit frame, stainless steel, for platform dimensions of 800 x 600 mm	YEG01IP
Pit frame, painted, for platform dimensions of 800 x 600 mm	YEG04IP
Installation kit for pit frames; required to install YEG01IP/YEG04IP (for IGG models)	YAS04IS

* If you have special requirements, contact your local Sartorius office or dealer to special-order from our Fast Factory.