



wirelink plus



The Wirelink Plus is the non-indicating version of our very popular Radiolink Plus and Loadlink Plus digital dynamometer tension load cells. This non-indicating Loadlink is designed for use with our Handheld Plus digital display, desktop controller PC software (DCP10M) or other form of instrumentation.

Manufactured from aerospace grade aluminium and utilising an advanced internal design structure, this range of non-indicating load cells are extremely lightweight, easy to handle and are used worldwide in an array of industries for lifting, pulling, proof and structural load testing.

The extremely versatile platform can be used with digital displays including the Straightpoint Handheld Plus, PLCs, data acquisition systems (DAQ) etc. and configured with a vast array of output formats to include mV/V, RS-422, RS-485, utilising the ASCII, MODBUS TRU and CAN-BUS protocols.

A standard analogue output option is available to include:

- 3 wire 0-10v
- 3 wire 0-5v
- 4 wire +/-10v
- 3 wire 4-20mA
- 2 wire 4-20mA

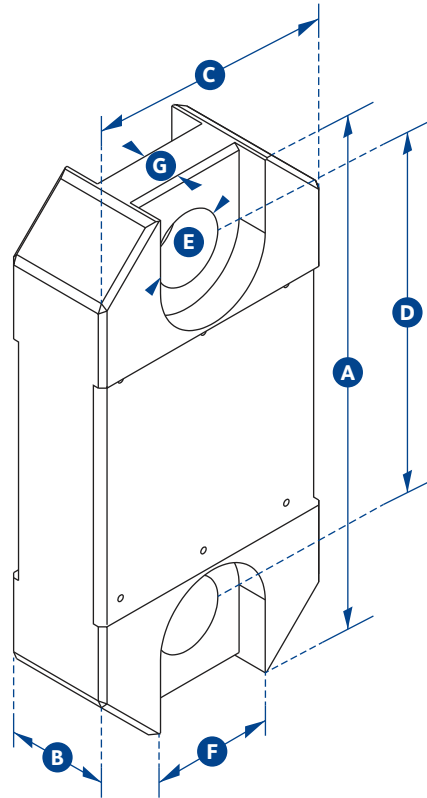
The Wirelink Plus is supplied with a 10 metre cable as standard, however, usable cable length varies greatly with lengths available to 1,500 metres depending on output format.

Features and benefits:

- Constructed of lightweight aluminium
- Available in capacities ranging from 1 to 300 tonnes
- High accuracy
- Multiple output options to include mV/V, analogue out, ASCII, MODBUS RTU and CAN-BUS
- Available with IP68 environmental protection
- Options for subsea use available

metric specifications

wirelink plus



Part Number	WLP1T	WLP2T5	WLP5T	WLP12T	WLP25T	WLP35T	WLP50T	WLP75T	WLP100T	WLP150T	WLP200T	WLP250T	WLP300T
Capacity	1000kg	2.5te	5te	12te	25te	35te	50te	75te	100te	150te	200te	250te	300te
Resolution	0.5kg	0.001te	0.001te	0.002te	0.005te	0.005te	0.01te	0.01te	0.05te	0.05te	0.1te	0.1te	0.1te
Weight	1.4kg	1.4kg	2kg	3.2kg	5kg	8.6kg	11.5kg	16kg	34kg	46kg	72kg	72kg	118kg
Safety Factor	12:1	5:1	5:1	5:1	5:1	5:1	5:1	5:1	5:1	4:1	5:1	4:1	5:1
Operating Temp	-10°C to +50°C												
Accuracy	± 0.3% of applied load												
Protection	IP67												
Dimension A	204	204	249	305	340	393	424	470	608	670	700	700	806
Dimension B	43	43	43	47	60	75	75	75	99	99	144	144	150
Dimension C	101	101	101	101	115	126	163	202	255	303	320	320	426
Dimension D	146	146	165	193	215	225	230	260	320	360	350	350	350
Dimension E	24.5	24.5	38	47.5	55	60	76	76	109	109	132	132	160
Dimension F	48	48	66	Not available on this capacity									
Dimension G	19	19	32	Not available on this capacity									
Crosby Shackle	G2130						G2140						
Loading Pin Ø	19	19	25	35	51	57	57	70	83	95	121	127	152

Options							
Part Number	ICA1		ICA2		ICA3	ICA4	ICA5
Description	3 wire 0-10v analogue output		3 wire 0-5v analogue output		4 wire ±10v analogue output	3 wire 4-20mA analogue output	2 wire 4-20mA analogue output

