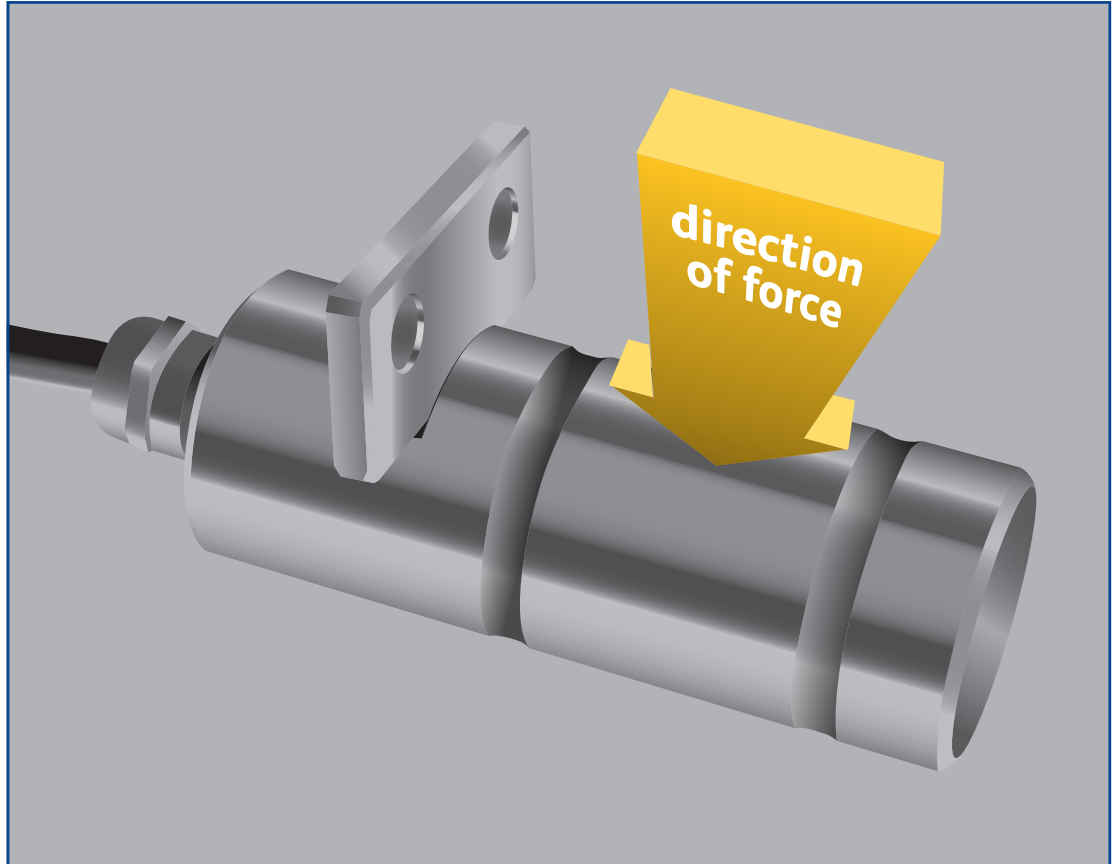




# load pin



The Straightpoint range of Load Measurement Pins are designed for general use. They are machined from high tensile stainless steel and are normally supplied complete with an anti-rotation plate.

They are built to exacting standards and are suitable for use in exposed situations and can be supplied to withstand immersion in seawater. This range of load cells is Proof Loaded to 150% of the normal rated load.



Requires connection to our Handheld Plus (SU3343), our Desktop controller datalogging software package (DCP10M) or our External Amplifier (SA-3420), or other instrumentation.

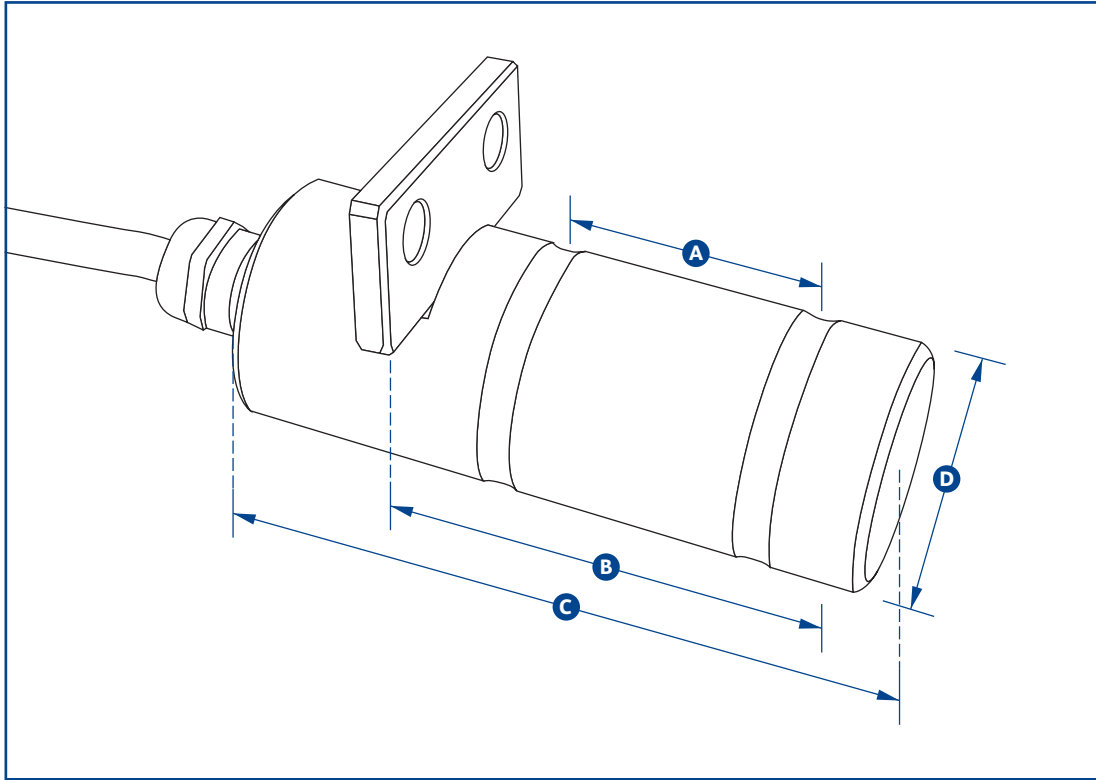
Please advise cable configuration on order - Radial or Axial Pin exit.

If you require a load pin to a particular size and design, download our Load Pin Questionnaire, found on our website, and return, POA.

## Applications:

- Marine Tankers, offshore platforms
- Elevator and Floor Conveyor Testing and Certification
- Bearing Blocks, Pivots and Shackles
- Cable Laying Equipment
- Rope, Chain, and Brake Anchors
- Bridge Support Cables
- Mooring Lines
- Pulleys and Sheaves
- Crane Cables
- Hoisting Gear
- Winches

# imperial specifications



# load pin

Part Number	LP500KGU	LP1TU	LP2.5TU	LP3.5TU	LP6.5TU	LP15TU	LP25TU	LP50TU	LP100TU	LP250TU	LP500TU	LP750TU	LP1000TU	LP1500TU
Capacity	1100lb	2200lb	5500lb	7700lb	14000lb	33000lb	55000lb	110000lb	220000lb	550000lb	1100000lb	1650000lb	2200000lb	3300000lb
Resolution	0.5lb	1lb	2lb	2lb	5lb	5lb	10lb	20lb	100lb	200lb	500lb	500lb	1000lb	1000lb
Units	kgs, tonnes													
Weight	0.4lb	0.5lb	0.9lb	1.3lb	2.6lb	5lb	10.3lb	18lb	24lb	64lb	172lb	319lb	603lb	854lb
Safety Factor	300 % of SWL													
Operating Temp	-4°F to 158°F													
Accuracy	±1 % of applied load													
Protection	NEMA 6 (NEMA 6P available as option)													
Dimension A	0.94	1.38	1.77	1.97	2.48	2.95	3.50	4.02	4.33	5.12	8.86	11.61	14.17	16.93
Dimension B	1.42	1.93	2.76	2.95	3.74	4.49	5.98	7.01	7.48	8.66	14.57	19.69	24.09	28.78
Dimension C	2.76	3.15	3.94	4.13	4.92	5.91	7.68	8.86	9.06	11.81	17.32	23.23	28.03	32.76
Dimension D	0.79	0.79	0.98	1.18	1.57	1.97	2.48	2.95	3.46	4.92	6.69	7.87	9.84	10.83

Please note: If you require a load pin to a particular size and design, download our Load Pin Questionnaire and return POA.  
Wireless Load Pins available POA.

1221 Avenida Acaso, Suite E, Camarillo, CA 93012, USA  
Tel: (844) 806-7665 · Office (805) 246-1462 · Fax: (805) 262-6445  
straightpoint.com · sales@straightpoint.com

